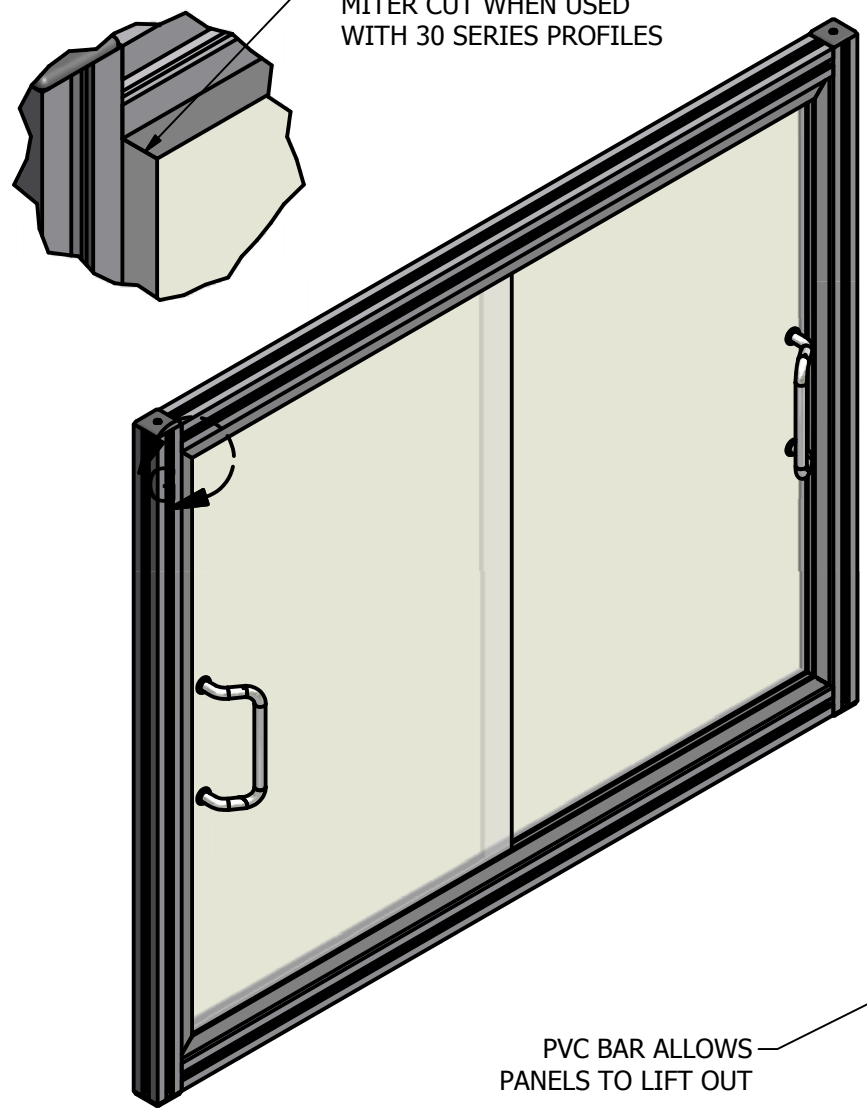
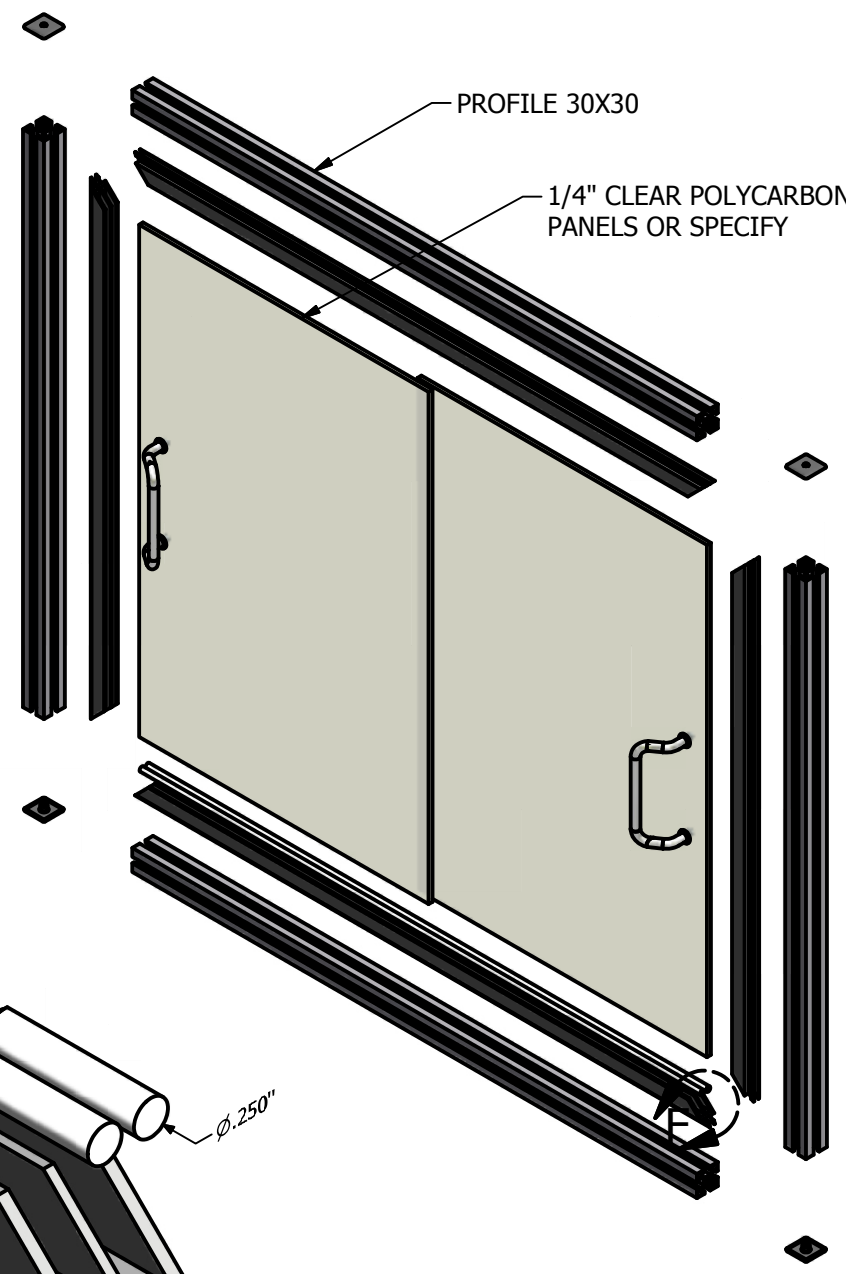


GUIDE PROFILE MUST BE MITER CUT WHEN USED WITH 30 SERIES PROFILES

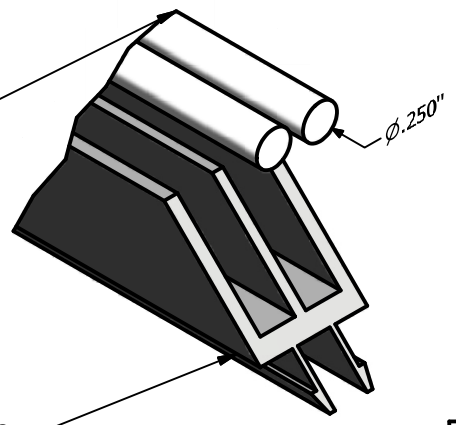


PROFILE 30X30

1/4" CLEAR POLYCARBONATE PANELS OR SPECIFY



PVC BAR ALLOWS PANELS TO LIFT OUT



GUIDE PROFILE 2 (4 SIDES)

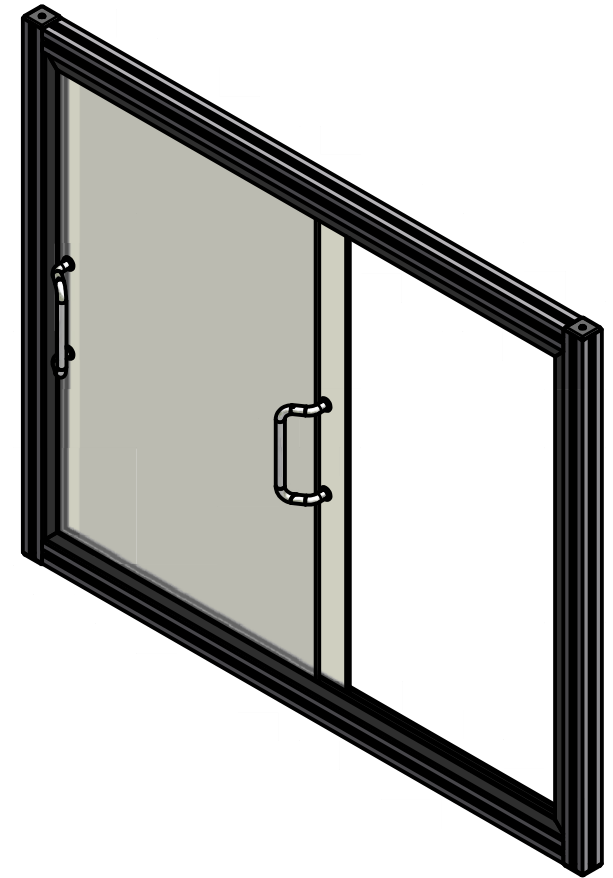
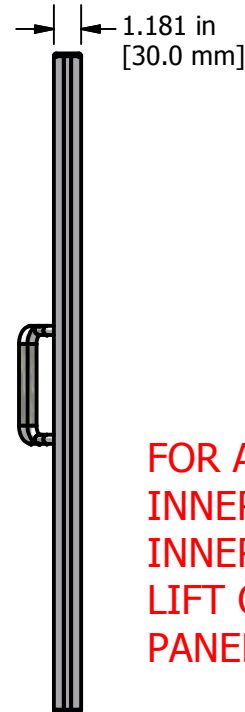
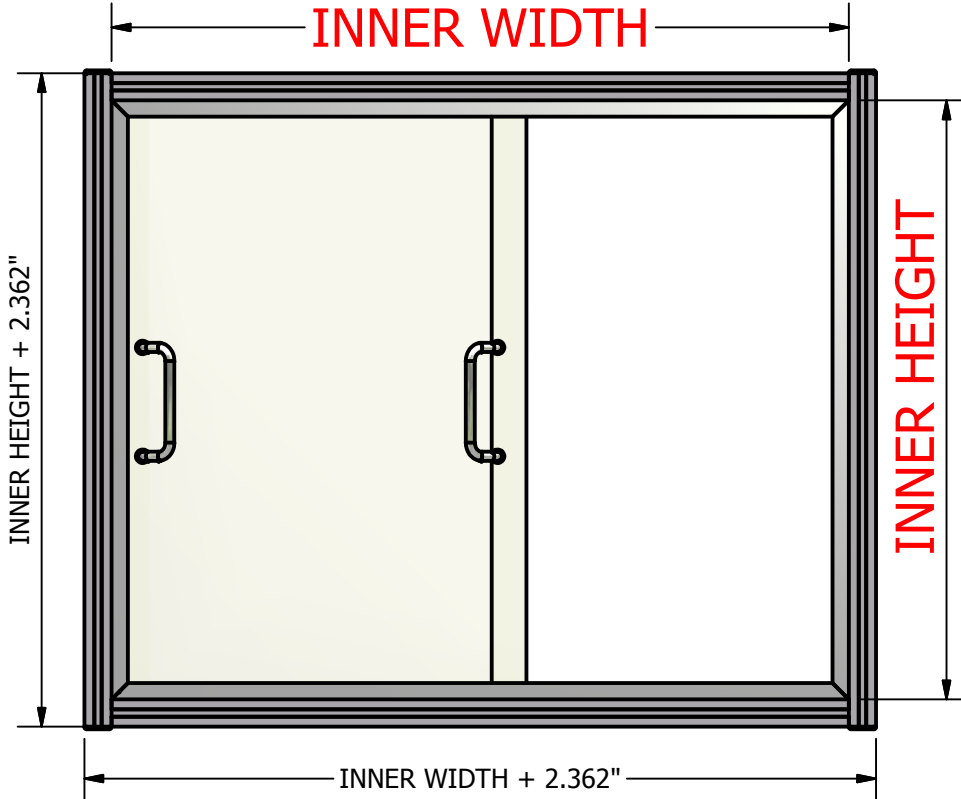
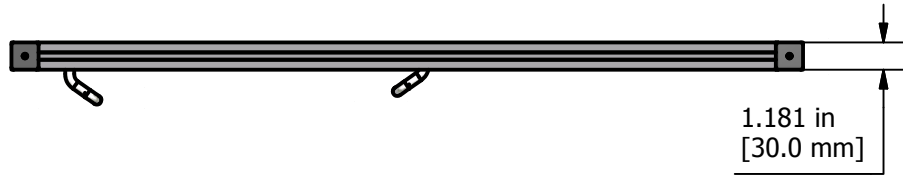
MiniTec THE ART OF SIMPLICITY

WWW.MINITECFRAMING.COM VICTOR, NY PH # 585 924-4690 DIRECT 585 398-1240 EXT 104 FX # 585 924-4821 amoles@minitecframing.com

TITLE DOUBLE FRAMELESS SLIDING DOOR 30 SERIES

DWG NO SP080913-1

REV

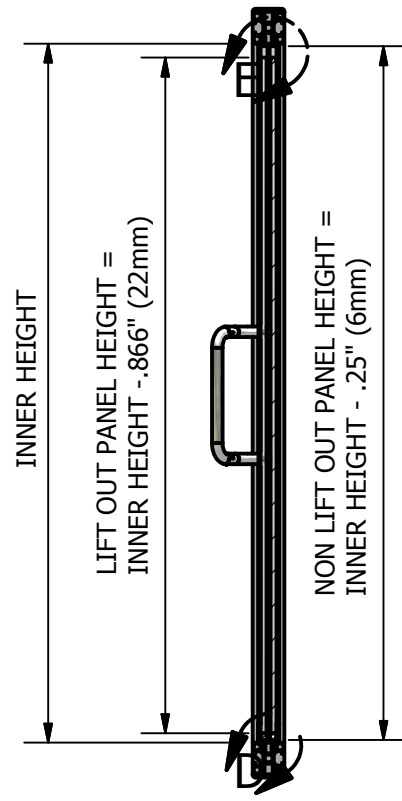
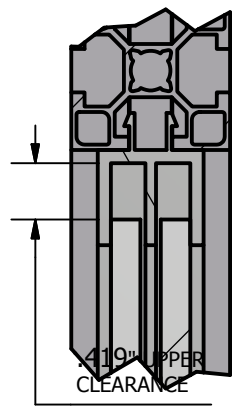
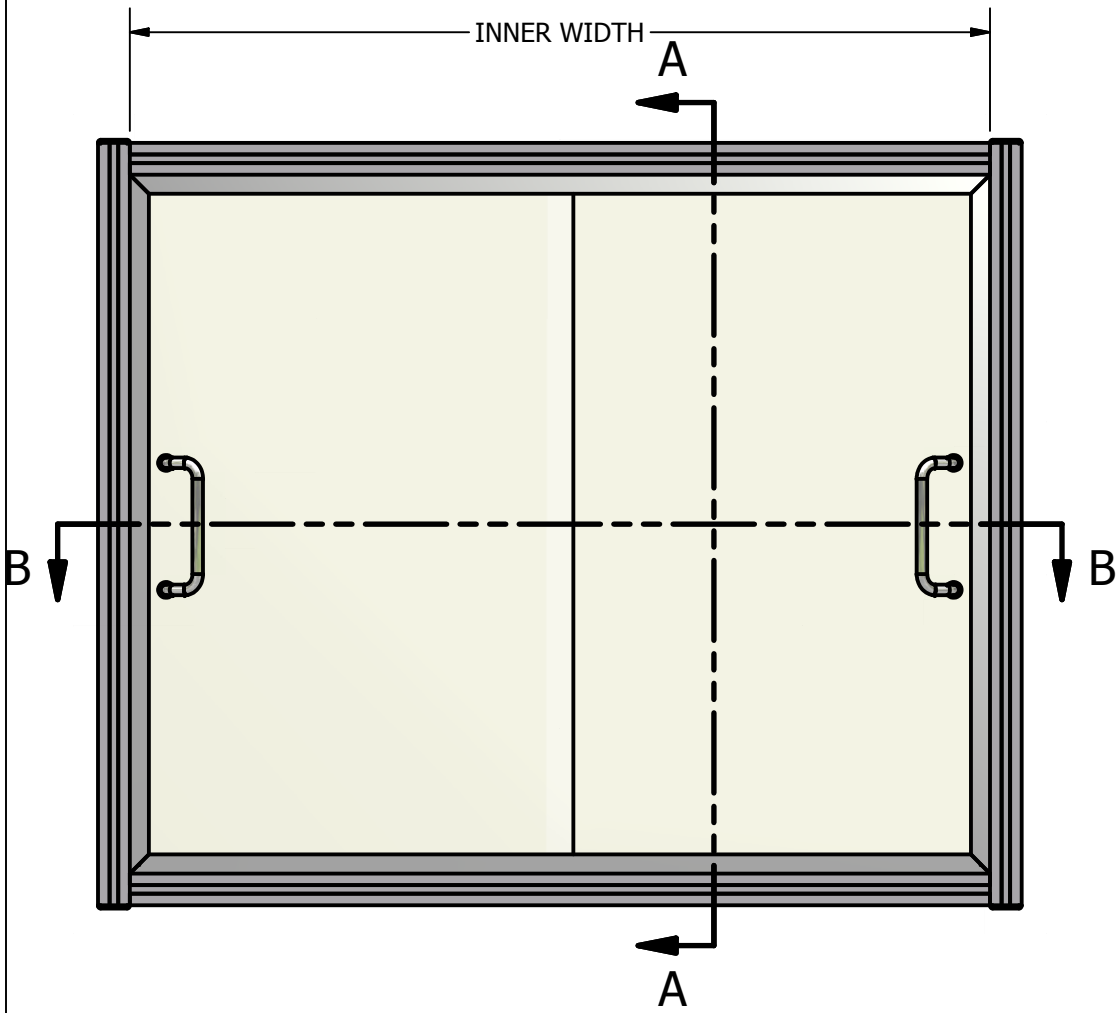
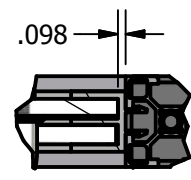


FOR A QUOTE SPECIFY:
INNER WIDTH =
INNER HEIGHT =
LIFT OUT DOORS YES NO
PANEL TYPE IF NOT CLEAR POLYCARBONATE

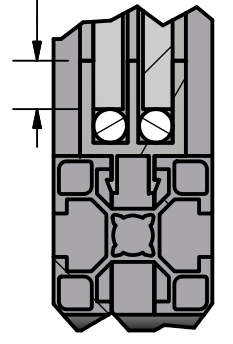
MiniTec
 THE ART OF SIMPLICITY
 WWW.MINITECFRAMING.COM
 VICTOR, NY
 PH # 585 924-4690
 DIRECT 585 398-1240 EXT 104
 FX # 585 924-4821
 amoles@minitecframing.com

TITLE DOUBLE FRAMELESS SLIDING DOOR 30 SERIES	DWG NO SP080913-1	REV
---	-----------------------------	-----

PANEL WIDTH =
 $(\text{INNER WIDTH} - .196") / 2 + .5$



.360 SHOULD BE SMALLER THAN CLEARANCE ABOVE FOR LIFT OUT

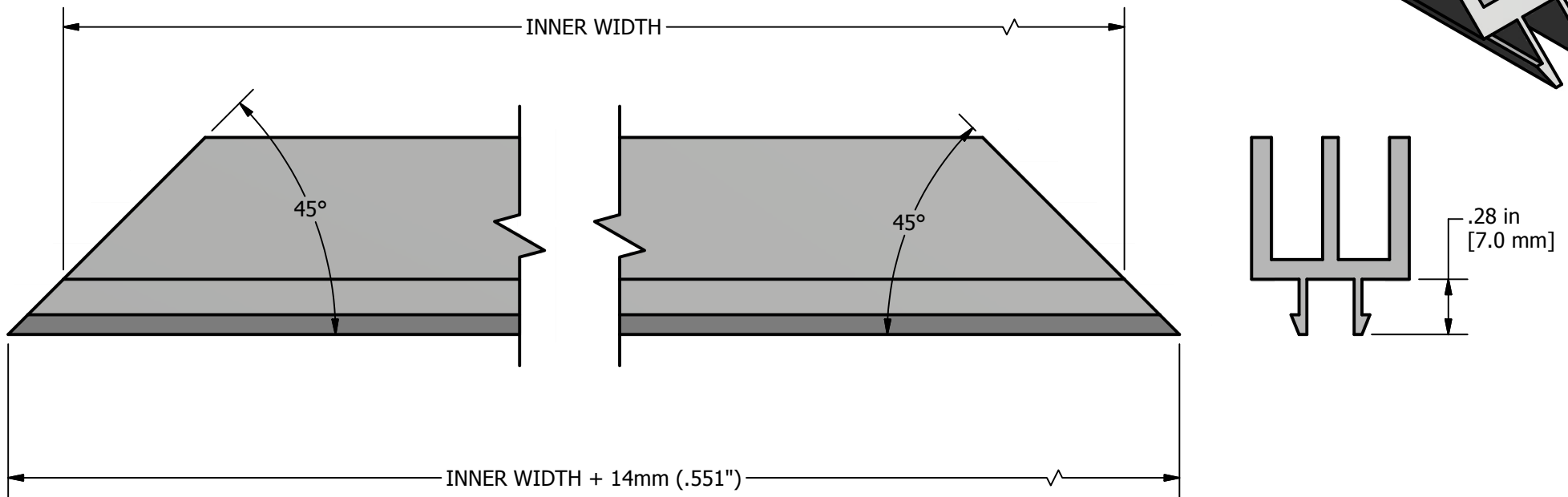
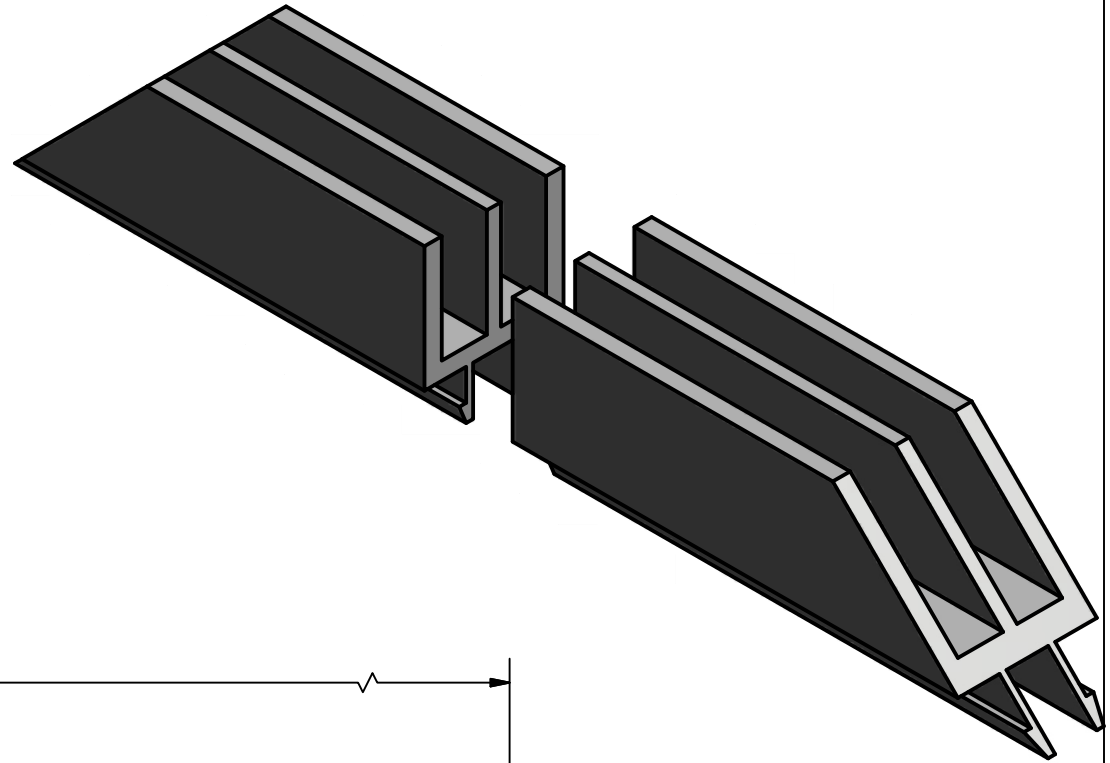


MiniTec
 THE ART OF SIMPLICITY

WWW.MINITECFRAMING.COM
 VICTOR, NY
 PH # 585 924-4690
 DIRECT 585 398-1240 EXT 104
 FX # 585 924-4821
 amoles@minitecframing.com

TITLE DOUBLE FRAMELESS SLIDING DOOR 30 SERIES	DWG NO SP080913-1	REV
---	-----------------------------	-----

HORIZONTAL GUIDE PROFILE 2 GRAY
P/N 22.1073/1 (QTY 2 REQ.)

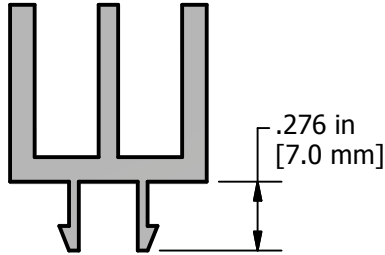
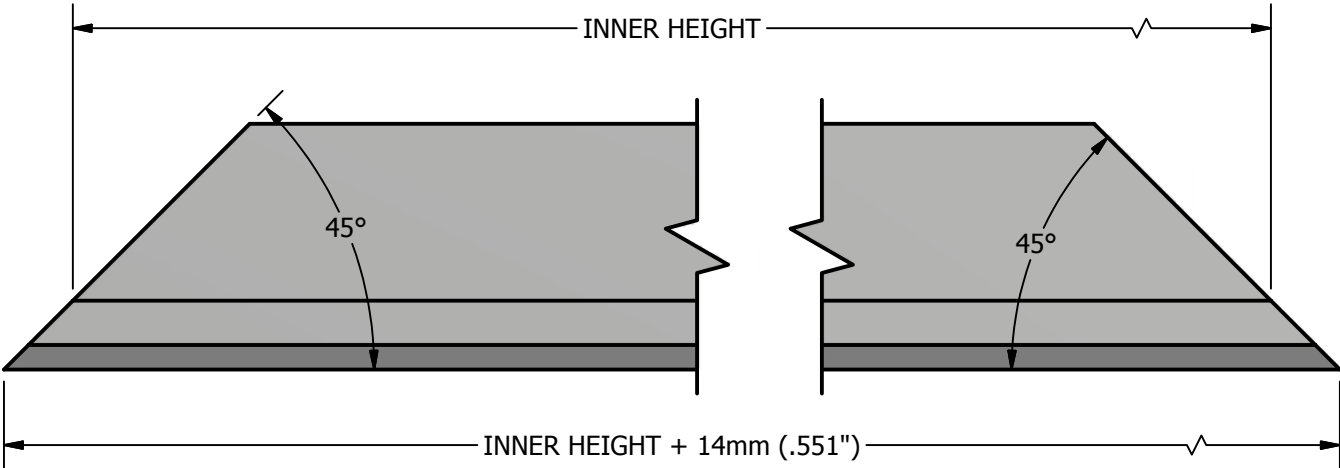
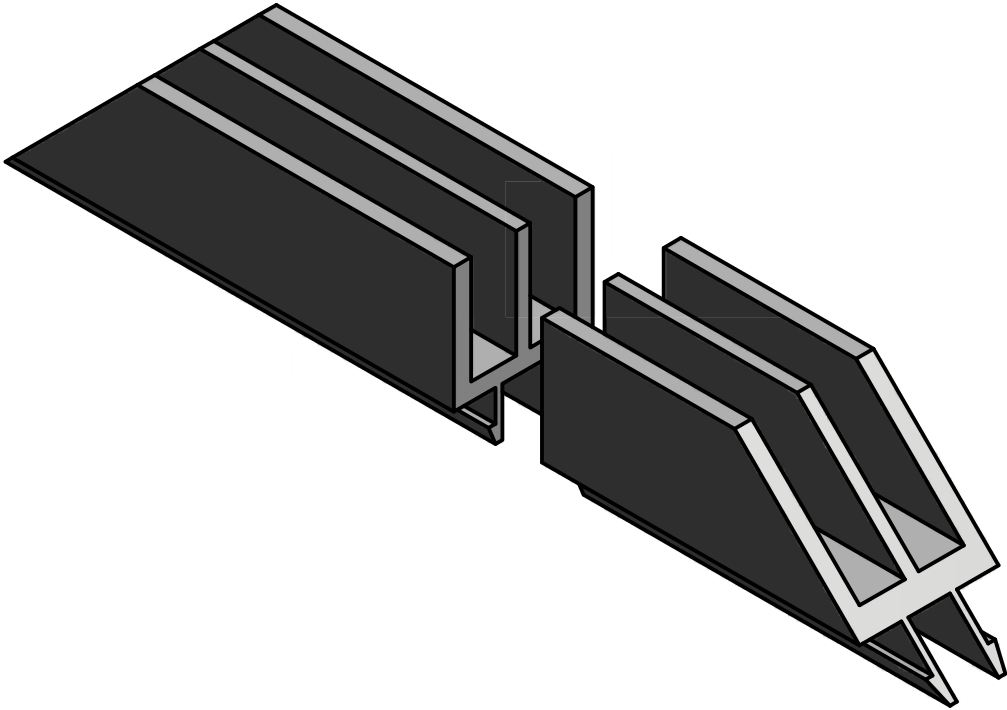


MiniTec
THE ART OF SIMPLICITY

WWW.MINITECFRAMING.COM
VICTOR, NY
PH # 585 924-4690
DIRECT 585 398-1240 EXT 104
FX # 585 924-4821
amoles@minitecframing.com

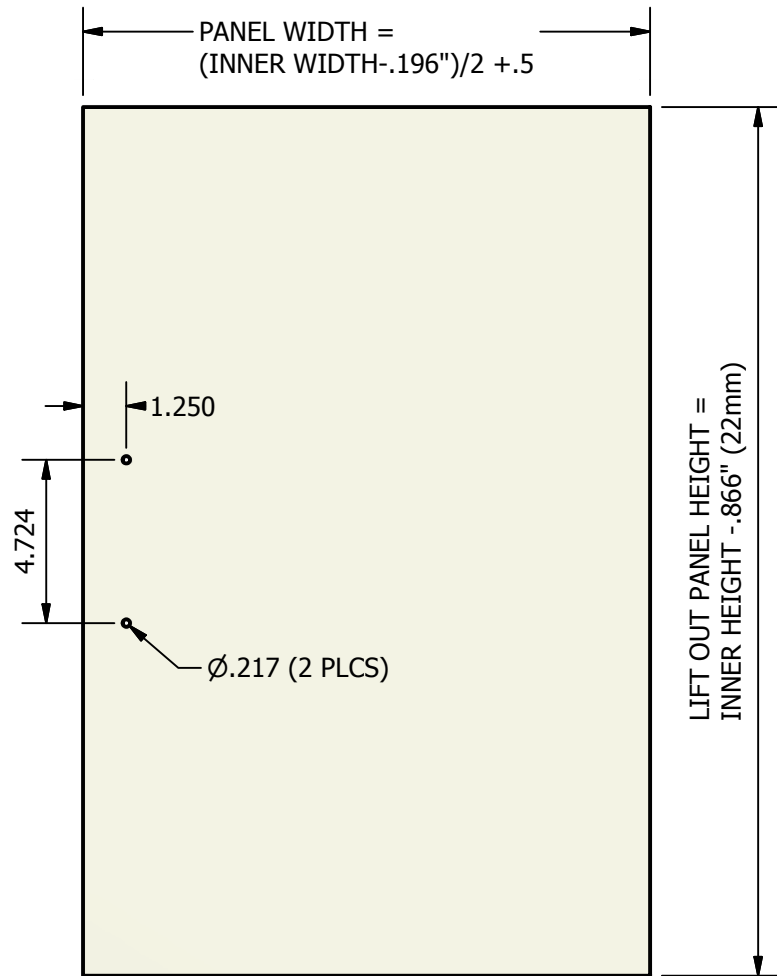
<p>TITLE DOUBLE FRAMELESS SLIDING DOOR 30 SERIES</p>	<p>DWG NO SP080913-1A</p>	<p>REV</p>
--	---------------------------------------	------------

VERTICAL GUIDE PROFILE 2 GRAY
P/N 22.1073/1 (QTY 2 REQ.)

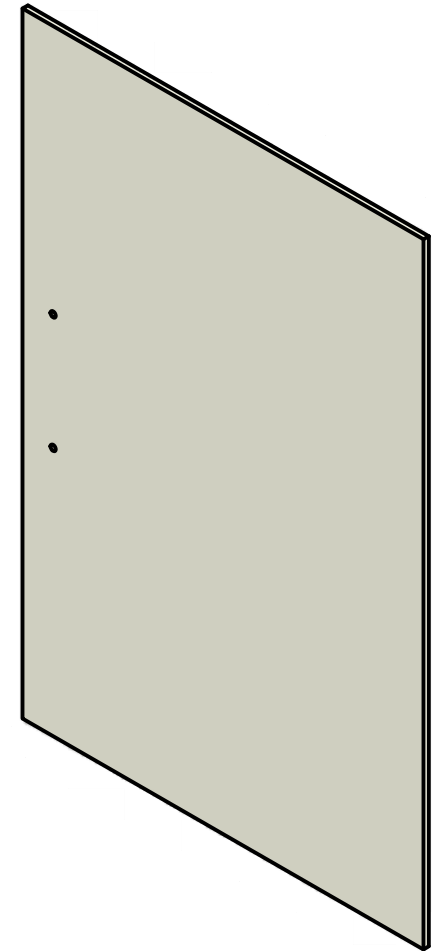


WWW.MINITECFRAMING.COM
VICTOR, NY
PH # 585 924-4690
DIRECT 585 398-1240 EXT 104
FX # 585 924-4821
amoles@minitecframing.com

TITLE DOUBLE FRAMELESS SLIDING DOOR 30 SERIES	DWG NO SP080913-1B	REV
---	------------------------------	-----



.220 ACTUAL THICKNESS
OF CLEAR POLYCARBONATE



WWW.MINITECFRAMING.COM
VICTOR, NY
PH # 585 924-4690
DIRECT 585 398-1240 EXT 104
FX # 585 924-4821
amoles@minitecframing.com

TITLE DOUBLE FRAMELESS SLIDING DOOR 30 SERIES	DWG NO SP080913-1C	REV
---	------------------------------	-----